

www.watertight-door.ucalsa.nl



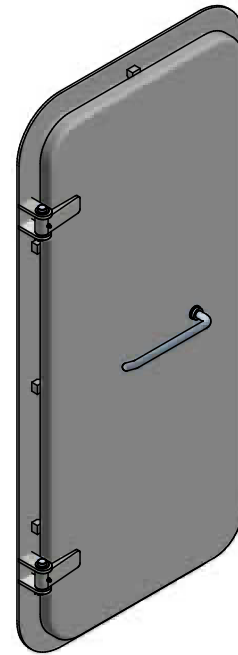
WTD
Watertight doors

UCALSA

Custom metal solutions

WTD watertight

Weathertight ship door



Purpose

The weathertight ship door is designed for mounting in walls of ship's superstructures

Characteristics

Doors located in watertight bulkheads below the freeboard deck. Designed to withstand static water pressure on both sides. Type approval is required, and they are individually verified by a tightness test for the required water column.

Lock System

- Individual latches
- Closure latches centralized in a single lever or a handwheel
- Locking cylinder cover
- Lock with cylinder
- Magnetic lock

Materials

- Stainless steel
- Inox
- Aluminium
- EPDM

Accessories

- Porthole
- Window
- Conventional closure
- Electronic closure
- Digital lock with code
- Insulation
- Double leaf

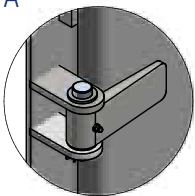
Technical specification

WTD watertight

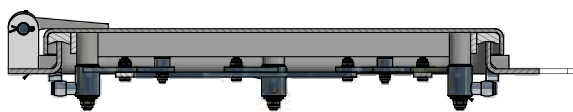
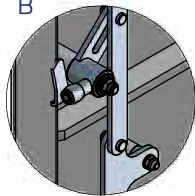
| | | | | |
|---|-----------------------------------|-----------------|-------------------------------|-------------|
| 1 | Max. Dimensions | Upon request | - | - |
| 2 | Coaming material | Steel | Stainless Steel | Aluminium |
| 3 | Coaming profile | "L" Bar Profile | Flar Bar Profile | "Z" Profile |
| 4 | Door leaf material | Steel | Stainless Steel | Aluminium |
| 5 | Opening mechanism material | Stainless Steel | - | - |
| 6 | Hinges qty | 2 - 4 | 6 - 8 | 10 |
| 7 | Insulation | None | Rockwool | - |
| 8 | Surface treatment | Painting | Sandblasting + primer coating | - |
| 9 | Window | Window | Porthole | - |

Details:

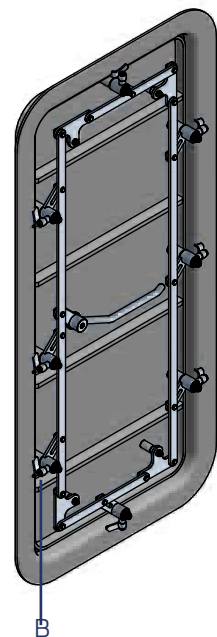
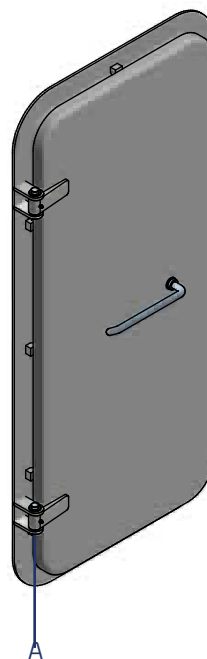
A



B



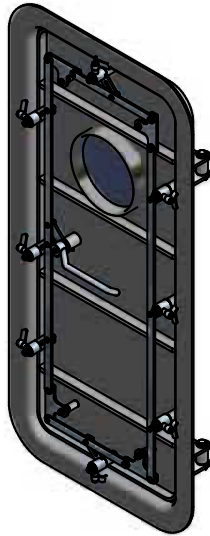
Door with "L" profile frame



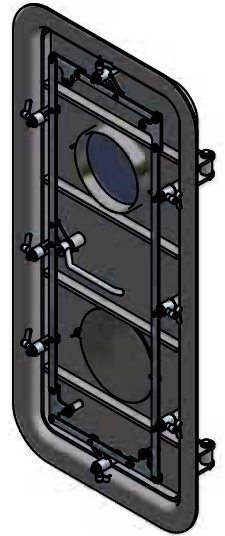
Accessories

WTD watertight

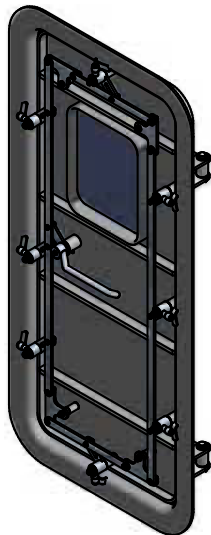
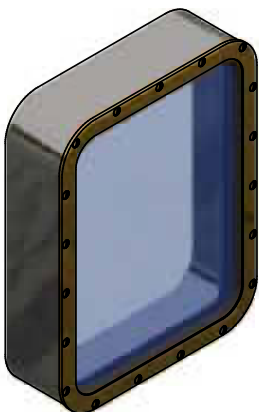
Welded Porthole



Porthole Cover



Welded Window

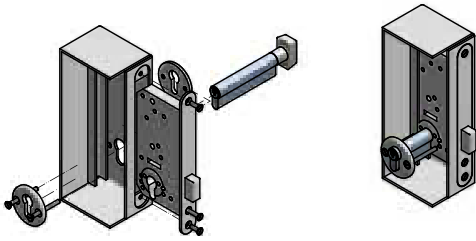


Window Cover

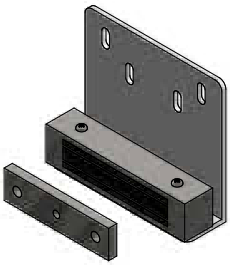


Accessories WTD watertight

Lock With Cylinder



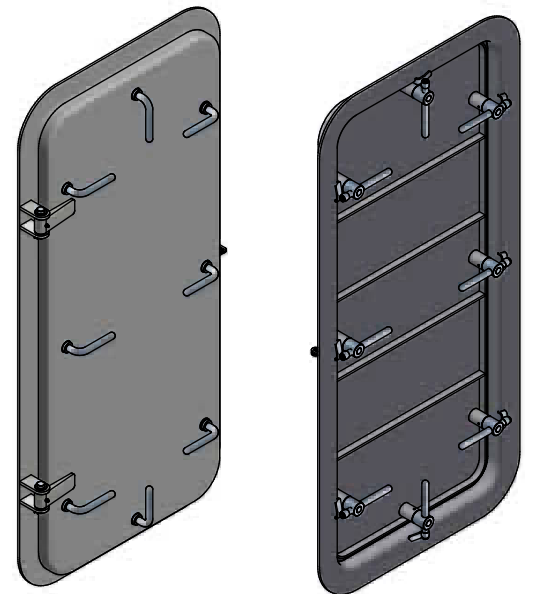
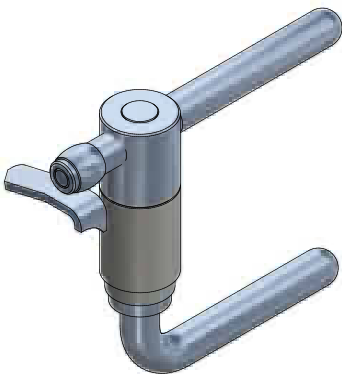
Magnetic Lock



Locking Cylinder
Cover



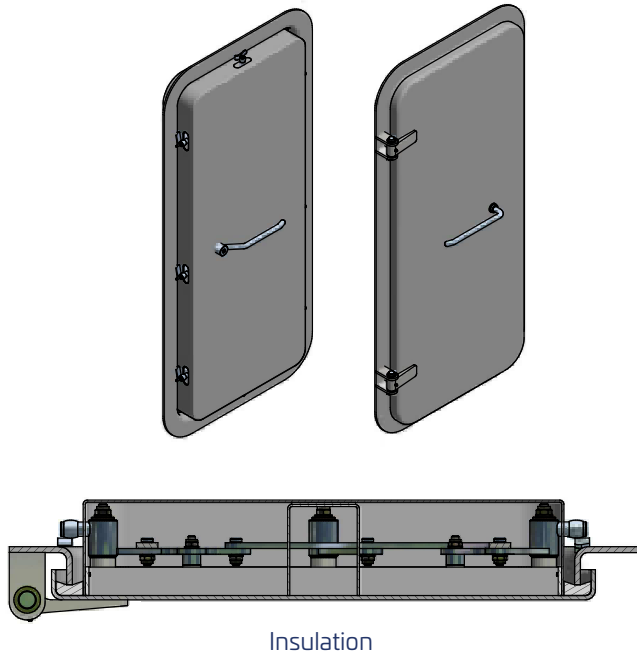
Single Toggle



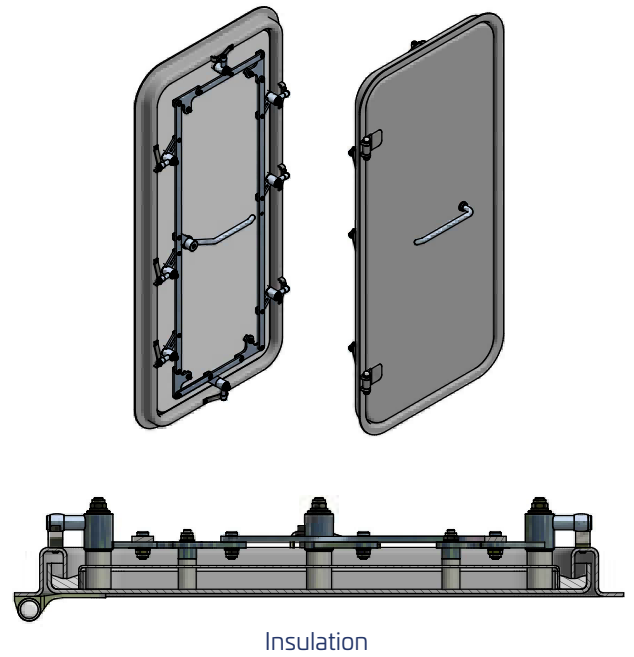
Accessories

WTD watertight

Door with insulation, hidden mechanism



Door with insulation, exposed mechanism



Heating element to prevent ice formation

