

www.fire-rated-door.ucalsa.nl



A15 Watertight doors

UCALSA

Custom metal solutions

A15

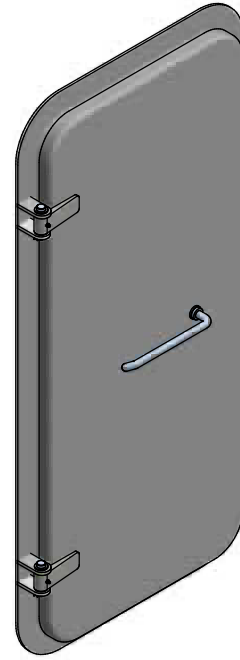
Watertight, Weathertight and Spraytight doors.

Purpose

The A15 watertight doors are suitable to withstand A15 fire requirements, available in different configurations.

Watertight doors are suitable for installation in watertight compartments with up to 4,5m internal pressure.

MED certified by DNV-GL.
Structural certification available upon request.



Characteristics

Watertight, Weathertight or Spraytight doors, rated A15.
Maximum size according to our certificates is:
CO (Clear Opening) = 900 x 1850mm (width x height).

Lock System

Closure latches centralized in a single lever.

Materials

Stainless steel
Inox
EPDM

Accessories

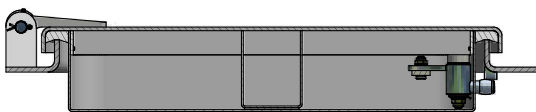
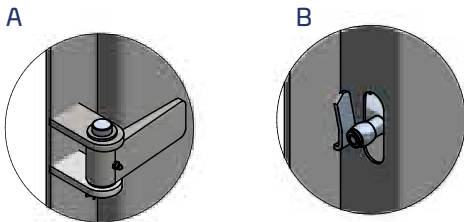
Porthole
Window
Lock
Double leaf

Technical specification

A15

1	Max. Dimensions	900x1850 mm	-
2	Coaming material	Steel	Stainless Steel
3	Coaming profile	"L" Bar Profile	-
4	Door leaf material	Steel	Stainless Steel
5	Opening mechanism material	Stainless Steel	-
6	Hinges qty	2	-
7	Insulation	Rockwool	-
8	Surface treatment	Painting	Sandblasting + primer coating
9	Window	Window	Porthole

Details:



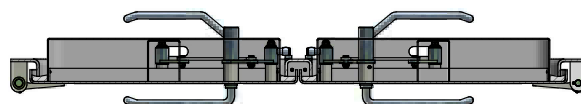
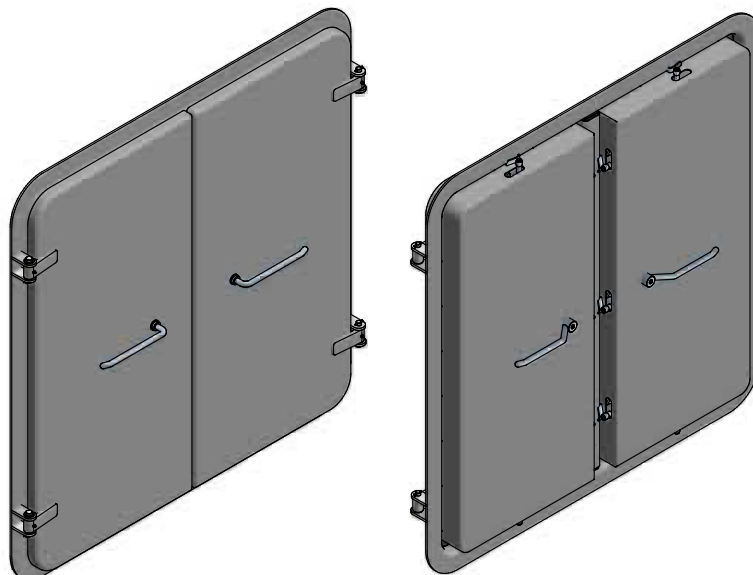
Door with "L" profile frame



Technical specification

Double leaf door A15

1	Max. Dimensions	900x1850 mm	-
2	Coaming material	Steel	Stainless Steel
3	Coaming profile	"L" Bar Profile	-
4	Door leaf material	Steel	Stainless Steel
5	Opening mechanism material	Stainless Steel	-
6	Hinges qty	2	-
7	Insulation	Rockwool	-
8	Surface treatment	Painting	Sandblasting + primer coating
9	Window	Window	Porthole

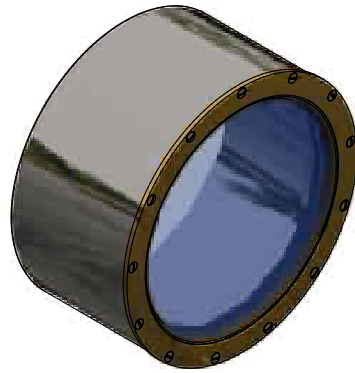


Accessories

A15

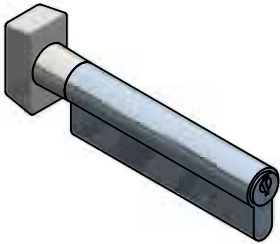


Welded Porthole

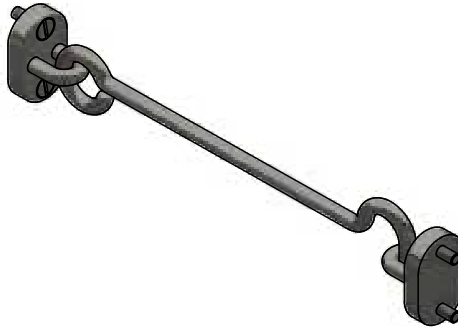


Accessories A15

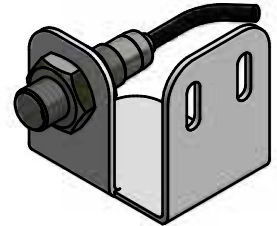
Cylinder



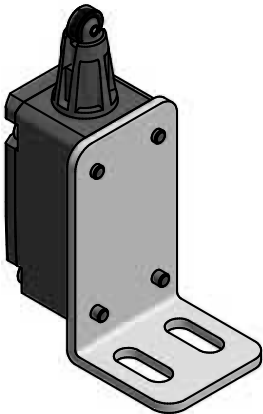
Door Hook Sp



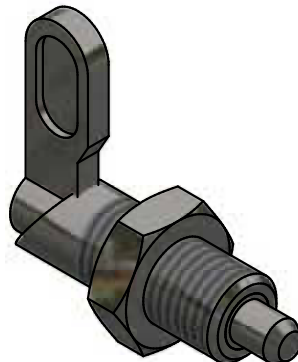
Open/Close Inductive Sensor



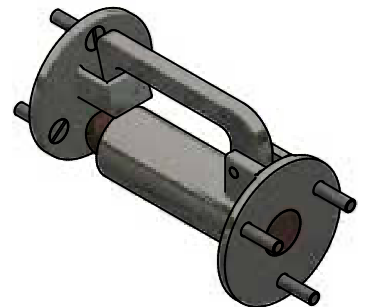
Open/Close Contact Sensor



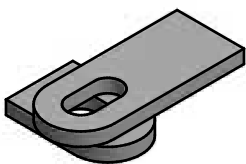
Inner Manual Lockpin



Door Hook Sw



Padlock Bracket



Door Closer

